



Sim.LED 3500

The Future of LED Examination Lights

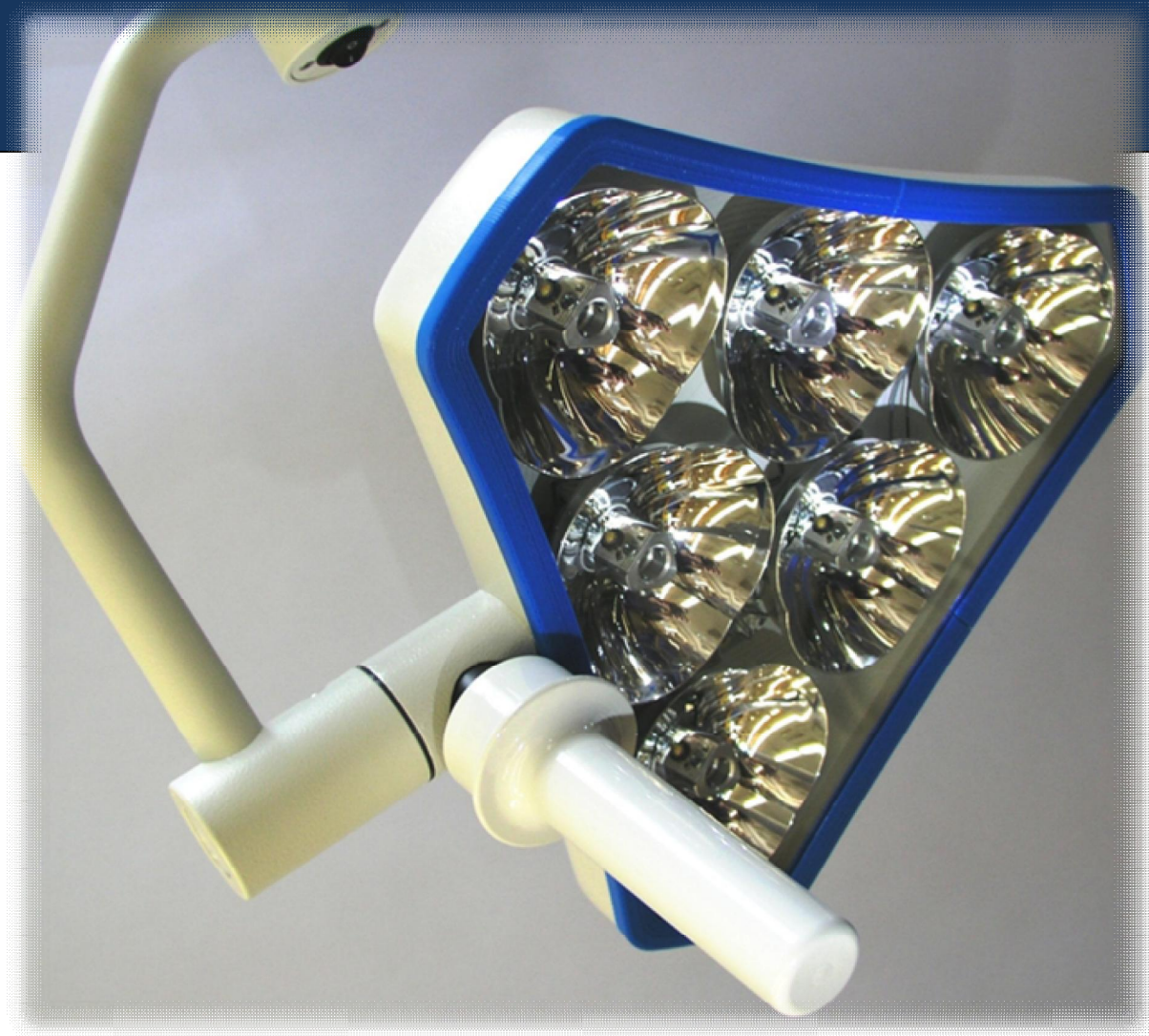
TRUMPF

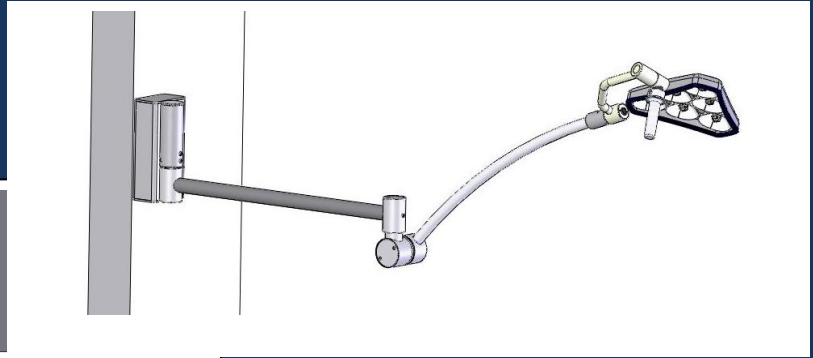
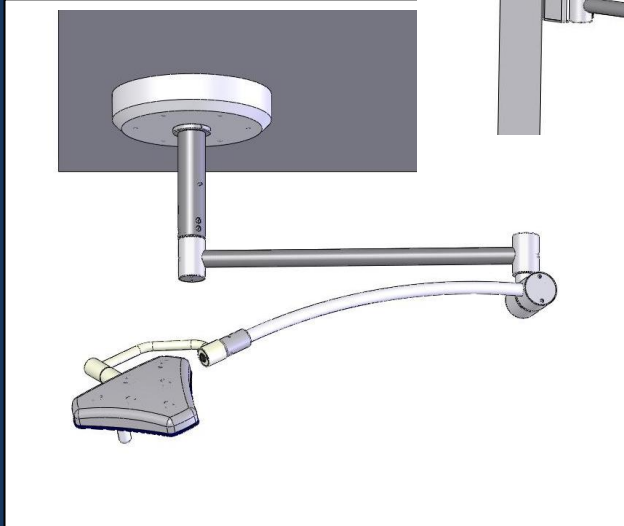


Sim.LED 3500

Utilize the Advantages of LED Technology -
Now Available for Examination Procedures

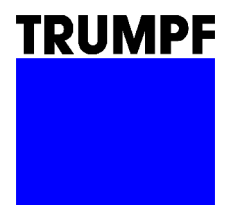
- Innovative and modern design
- OR light quality
- Optimal light-emitting surface, unique shadow-resolution
- Low weight, ideal maneuverability





Specifications	Sim.LED 3500
Central illumination EC (100 cm) [lx]	50.000
Colour temperature [K]	4500
light field d10 at a distance of 1 m [mm]	170
Colour rendering index Ra	94
Red rendering index R9	95
Weight of light head [kg]	3
Lifetime [h]	20.000

Available from June 2010



Produced by:

S.I.M.E.O.N. Medical GmbH & Co. KG

Stockacher Straße 134

D-78532 Tuttlingen

Telefon: ++49 (0) 74 61 / 900 68-0

Telefax: ++49 (0) 74 61 / 900 68-900

www.simeonmedical.com

info@simeonmedical.com

Art.-Nr.: 100-0010278